



User Manual

Great care has gone into the manufacture of this product and it should therefore provide you with years of good service when used properly. In the event of product failure within its intended use over the course of the first 3 years after date of purchase, we will remedy the problem as quickly as possible once it has been brought to our attention. In the unlikely event of such an occurrence, or if you require any information about the product, please contact us via our helpline support services, details of which are to be found both in this manual and on the product itself.



PRODUCED IN CHINA FOR:
ALDI STORES LTD. PO BOX 26, ATHERSTONE
WARWICKSHIRE, CV9 2SH

ALDI STORES (IRELAND) LTD.
PO BOX 726, NAAS, CO. KILDARE
Visit us at www.aldi.com

AFTER SALES SUPPORT

815715



GB

03456939277

IE

1890882374



customerservice@b-gr8.co.uk

MODEL:

FS-ARM 4037

05/2022

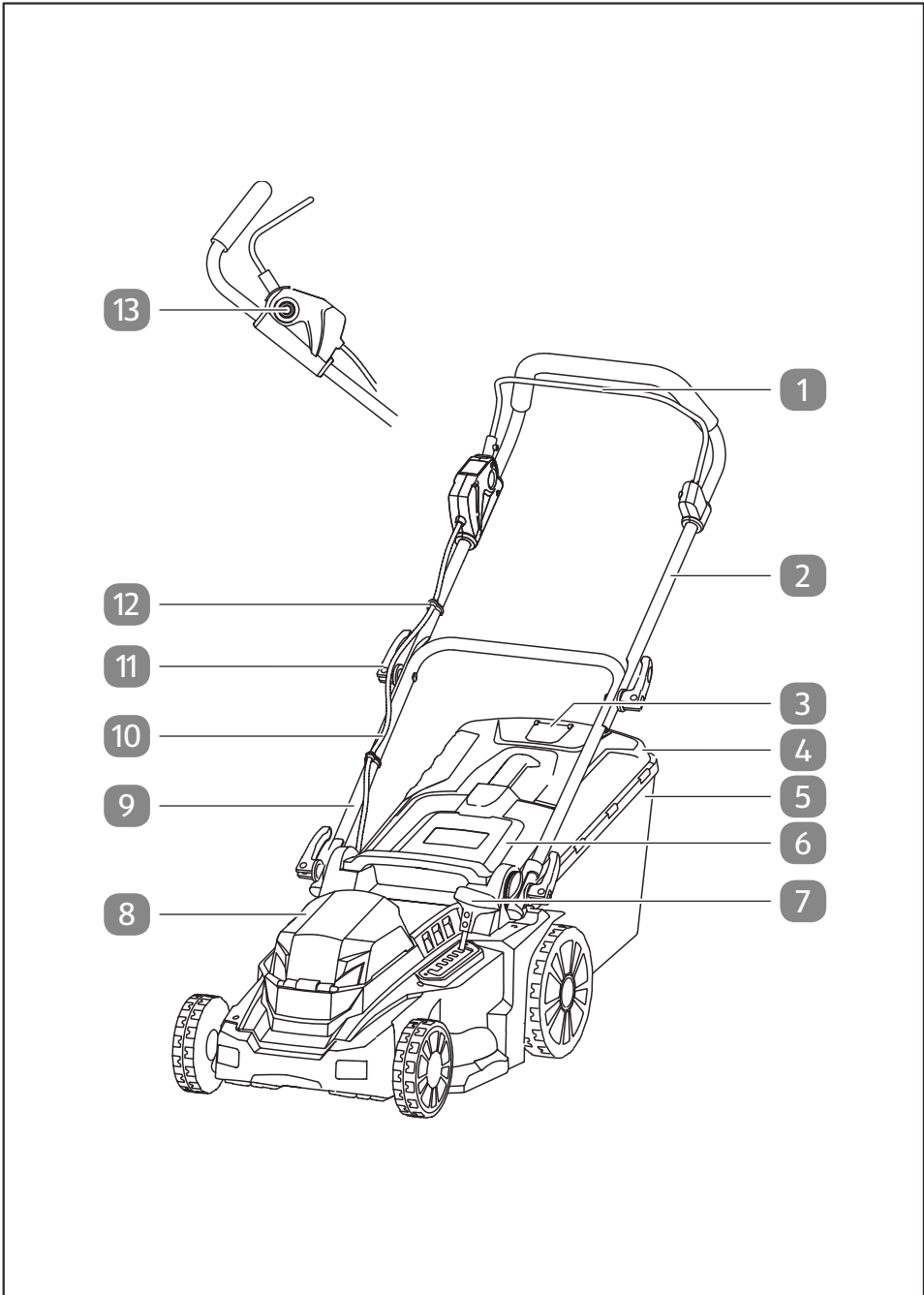
3
YEAR
WARRANTY

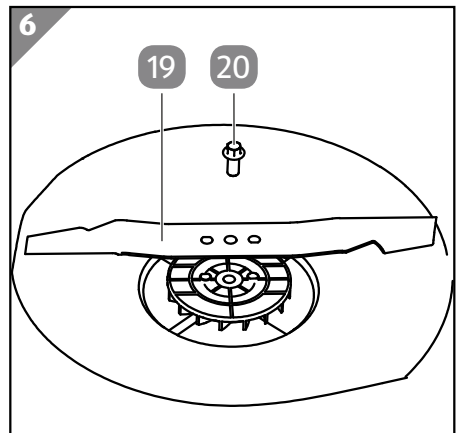
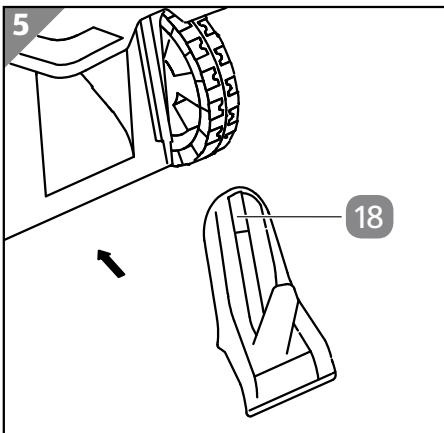
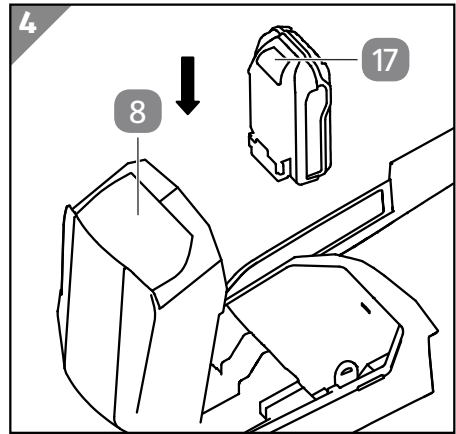
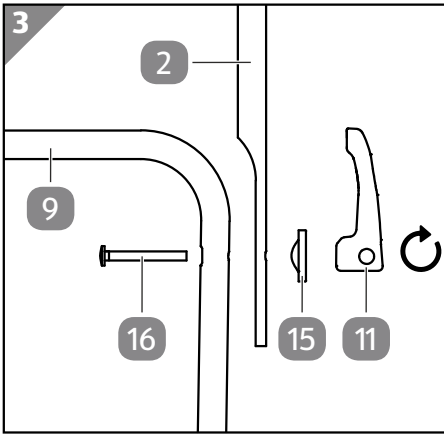
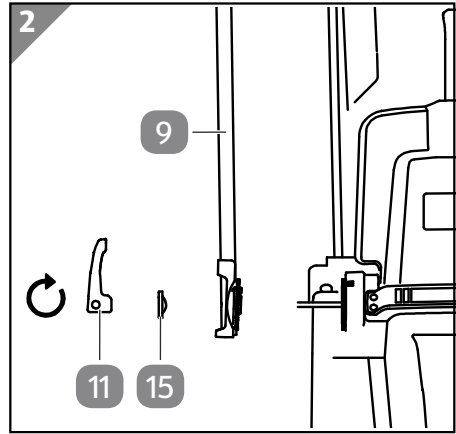
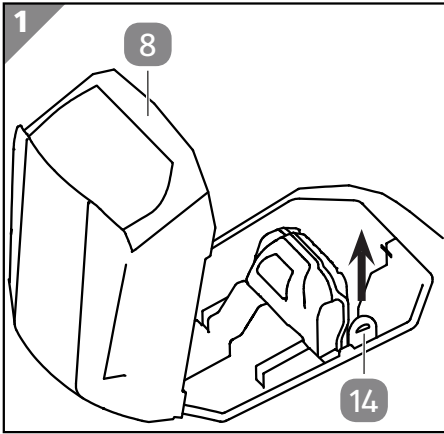
FERREX®

CORDLESS LAWNMOWER



Original User Manual





Included in delivery/Device parts

Included in delivery/Device parts

- 1 Safety bar
- 2 Guide shaft
- 3 Fill level indicator
- 4 Cover (grass collection box)
- 5 Grass collection box
- 6 Safety flap
- 7 Cutting height adjuster
- 8 Protective cover
- 9 Guide bar frame
- 10 Cable
- 11 Quick-release fastener, 4×
- 12 Cable clamp, 2×
- 13 Safety button
- 14 Safety key
- 15 Washer (quick-release fastener), 4×
- 16 Pin, 2×
- 17 Unlocking mechanism for battery (battery is not included in the delivery)
- 18 Mulchkit
- 19 Cutting blade
- 20 Fixing screw (cutting blade)

Table of content

Overview	2
Included in delivery/Device parts	4
General information	6
Reading and storing the user manual.....	6
Proper use.....	6
Explanation of symbols	6
Safety	8
Safety notes.....	8
Residual risks.....	14
Before first use	15
Check the device and scope of delivery.....	15
Assembling the lawnmower.....	15
Folding up the guide bar.....	16
Inserting/removing the rechargeable battery.....	16
Operation	16
Adjust cutting height.....	17
Switching on/off.....	17
Using the grass collection box.....	18
Emptying the grass collection box.....	18
Use mulch kit.....	19
Cleaning and maintenance	19
Repair service.....	20
Replacing the cutting blade.....	20
Transport and storage	21
Troubleshooting	22
Technical data	23
Battery and charger information (not included in the scope of delivery).....	24
Spare parts list.....	25
Declaration of conformity	26
Disposal	27

General information

Reading and storing the user manual



These operating instructions belong to this cordless lawnmower (hereinafter only referred to as "lawnmower" or "device"). They contain important information on commissioning and handling.

Before using the device, read the operating manual carefully, in particular the safety instructions. Failure to follow this operating manual may lead to severe injuries or product damage.

This user manual is based on the standards and regulations that are valid within the European Union. Outside the EU, please also note the country-specific directives and laws.

Keep this operating manual for future reference. If you pass this device on to a third party, you must also supply this operating manual.

Proper use

The device is only designed to cut small to medium sized lawns in private household gardens and allotments.

This device is exclusively intended for private use and not for the commercial sector.

The device must not be used:

- to trim bushes, hedges and shrubs;
- to cut and chop vines or lawn on roof gardens or in flower boxes;
- as a shredder to chop tree and hedge cuttings;
- to level out bumps in the ground.

Only use the device as described in this manual. Any other use is improper and may lead to product damage or even personal injury. This device is not a toy.

The manufacturer or retailer assume no liability for damage caused by improper or incorrect use.

Explanation of symbols

The following symbols and signal words are used in this user manual, on the device or on the packaging.



This symbol provides you with useful additional information on handling and use.



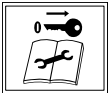
Declaration of conformity (see chapter “Declaration of conformity”): Products marked with this symbol meet all the applicable Community regulations of the European Economic Area.



Read the instruction manual



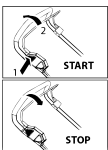
Caution – sharp blades – pull locking device before carrying out maintenance work



Pull locking device before carrying out maintenance work



Keep your distance



Switching on/switching off the device



The symbol shows the maximum sound power level L_{WA} .

Explanation of symbols



Caution! The cutting blade is sharp. The cutting blades continue to rotate after the motor has been switched off. Wait until all rotating parts have come to a standstill.



Do not expose the device to rain or other weather influences and do not operate it in a wet or damp environment.

Safety

The following signal words are used in this user manual.

⚠ WARNING!

This signal symbol/word denotes a hazard with an average risk level that could lead to death or severe injury if it is not avoided.

⚠ CAUTION!

This signal symbol/word denotes a hazard with a low risk level that could lead to mild or moderate injury if it is not avoided.

NOTE!

This signal word provides a warning about potential material damage.

Safety notes

⚠ WARNING!

Risk of injury!

Improper use of the lawnmower can cause injuries. The rotating cutting blades can cause severe injuries due to cuts and can even sever body parts. There is also a risk of injury due to objects that are caught by the lawnmower and swung around, as well as due to handling the rechargeable battery incorrectly.

- Only start the motor once your feet are at a safe distance from the cutting blades.
- Never insert hands or feet into or under rotating parts.
- Always keep clear of the grass discharge and never reach under the housing. Never reach into the grass discharge even if cut grass is still in there.

- When adjusting the lawnmower, ensure that your fingers cannot be trapped between moving cutting blades and fixed parts.
- Do not remove the grass collection box when the lawnmower is operating.
- Always wear sturdy shoes and long trousers when using the lawnmower. Never use the lawnmower barefoot or when wearing lightweight sandals.
- Wear protective gloves while using.
- Do not wear loose clothing or clothing with hanging strings or belts.
- Only mow during daylight or with good artificial lighting.
- Do not open the safety flap while operating if working without a grass collection box.
- Avoid working on wet grass, as you may slip.
- The lawnmower must not be tilted when starting the motor unless it has to be lifted for the procedure. If this is the case, only tilt it as far as absolutely necessary and only lift the side that is away from the operator.
- Do not start the lawnmower if you are standing in front of the grass discharge.
- Never use the lawnmower faster than walking pace. Do not run when mowing.
- Be extremely careful when turning and pulling the lawnmower towards you.
- Ensure that all nuts, bolts and screws are firmly tightened and that the lawnmower is in a safe working condition.
- Before making changes, always switch the lawnmower off, wait until all parts have come to a complete standstill and cooled down, and remove the safety key.
- Regularly check the grass collection box for wear or loss of efficiency.

Safety

- Ensure that the lawnmower is stable, particularly on slopes. Do not mow on excessively steep slopes. Take particular care when changing direction on slopes.
- Mow across the slope and never upwards or downwards.
- Carefully check the surface on which you wish to use the lawnmower and remove any objects that could be caught and ejected (e.g. branches, stones, fallen fruit and other foreign objects including mole hills).
- Never lift or carry the lawnmower when the motor is running. Always switch the lawnmower off when you are carrying it, tilting it or moving it when not on lawns. Wait until all rotating parts have come to a standstill and cooled down completely.
- Do not use the lawnmower if it is damaged or the safety devices are faulty. Only replace damaged or faulty parts with original accessories.
- Never use the lawnmower if safety devices or safety guards are damaged, or without safety devices installed, e.g. baffle plates and/or grass catchers.
- Have worn or damaged notice signs replaced.
- Ensure that other users have been instructed properly, have read the operating manual carefully and understood it.
- Service and clean the lawnmower regularly.
- Be particularly careful when turning the lawnmower around or pulling it towards you.
- Start or actuate the start switch carefully and in accordance with the manufacturer's instructions. Ensure that your feet are at a sufficient distance from the cutting blade.
- Allow the motor to cool before switching the machine off.
- When maintaining the cutting blade, be aware that the cutting blade can still move even if the power source is switched off.

▲ WARNING!**Risk of electric shock!**

Faulty electric installation or excess mains voltage can cause an electric shock.

- Do not open the device. Leave repairs to a qualified service technician. Contact the service address indicated on the warranty card. Liability and warranty claims are excluded if you carry out repairs yourself, improperly connect the device to the power supply or operate it incorrectly.
- Only parts that match the original device data may be used for repairs. This device contains electrical and mechanical parts that are essential for protection against sources of danger.
- Do not immerse the device in water or other liquids.
- Keep the device and the power cable away from open flames and hot surfaces.
- Make sure that no metal objects fall into the battery compartment.
- Make sure that children do not insert objects into the device.

▲ WARNING!

Danger to children and persons with reduced physical, sensory or mental abilities (e.g. partially disabled, elderly persons with reduced physical and mental abilities) or lack of experience and knowledge (e.g. older children).

- The device must only be operated by persons over 18.
Exception: use by youths in the scope of their vocational training with the help of a supervisor. Local regulations state the minimum age of the user.
- Never permit children or other persons who are not familiar with the user manual to use the device.

- The device must not be used by persons with reduced physical, sensory or mental capacities or persons not familiar with or experienced in the handling of such devices, unless:
 - they are supervised or instructed by a person responsible for them;
 - they have been instructed in the safe handling of the device and understand the resulting risks.
- Children must not play with the device.
- Children must not clean and/or service the device.
- Never use the mower while other persons - especially children or pets - are in the vicinity. The minimum distance is 5 metres.
- Do not leave the device unattended when in use.
- Please keep in mind that the machine operator or user is responsible for accidents involving other persons or their property.
- Do not let children play with the packaging film. They may become tangled when playing and suffocate.

NOTE!

Risk of damage!

Improper handling can damage the device.

- The safety devices installed on the lawnmower must not be removed or modified and external safety devices must not be installed.
- Before use, always ensure that the cutting blade, blade screws and the mowing unit are not blunt, worn or damaged. In order to avoid an imbalance, worn out or damaged cutting blades and fastening bolts must be replaced in complete sets.
- Do not use the lawnmower to trim bushes and hedges, as a chipper to shred tree and bush cuttings, or to level out ground unevenness.

- Carefully check the surface on which you wish to use the lawnmower and remove any objects that could damage the lawnmower and the cutting tools, fasteners or the entire cutting unit in particular.
- Ensure that the cutting blades do not come into contact with the ground on uneven surfaces.
- Switch the lawnmower off as soon as you have finished working.
- Stop the cutting blade if the lawnmower has to be tilted to be transported over surfaces other than grass and when moving the lawnmower to and from the surface to be mown.
- If the lawnmower starts to vibrate excessively, a careful inspection is required. Stop the lawnmower immediately and remove the safety key. Ensure that all nuts, bolts and screws are firmly tightened and look for damage. Repair the damaged parts as required.
- Check the lawnmower for damage if it has come into contact with foreign objects.
- Never lock the lock bar and the safety switch.
- Always have damage repaired before using the lawnmower again.

- Stop the lawnmower, remove the safety key and ensure that all moving parts have come to a complete standstill and have cooled down:
 - whenever you are not using the lawnmower,
 - to clear a blocked cutting blade,
 - to remove blockages from the discharge channel,
 - to adjust the cutting height,
 - to empty the grass collection box,
 - if you encounter a foreign object. Check for damage to the lawnmower and perform the necessary repairs before starting the lawnmower up and working with it again.
 - to lift the lawnmower or carry it away,
 - to tilt or transport the lawnmower (e.g. from/to the grass or over paths),,
 - before you check, clean or carry out any work on the lawnmower.
- In the event of an accident or machine failure, stop the lawnmower and remove the safety key, then seek assistance if necessary. Only put the lawnmower back into operation once fault-free functionality has been restored and confirmed.

Residual risks

Despite proper use, we cannot guarantee that residual risks that are not obvious will not occur. Due to the type and design of the lawnmower, the following potential dangers may result:

- Cut injuries due to cutting blades that are not covered,
- Injuries due to stones or earth being ejected,
- Safety impairments due to poor visibility or lighting,
- Damage to health, which results from vibrations if the device is used for an extended period or not operated or maintained properly.

Before first use

Check the device and scope of delivery

⚠ WARNING!

Danger of suffocation!

Children may become tangled up in the packaging film when playing with it and suffocate.

- Do not let children play with the packaging film.

NOTE!

Risk of damage!

If opening the packaging with a sharp knife or other pointed objects, careless handling can damage the device.

- Therefore, be very careful when opening.
1. With both hands, lift the device out of the packaging.
 2. Check that the delivery is complete (see chapter “Included in delivery/Device parts”).
 3. Inspect the device and individual parts for damage. Do not operate a damaged device; instead, contact the manufacturer via the service center listed on the warranty card.

Assembling the lawnmower

1. Open the safety cover **8** and pull out the safety key **14** (see **Fig. 1**).



The security key must be pushed together slightly to remove it.

2. Close the safety cover again.
3. Push the washers **15**, the quick-release lever **11** from the outside through the holes in the guide bar frame **9** and fold the guide bar frame upwards (see **Fig. 2**).
4. Place the guide bar on the guide bar frame in such a way that the holes are aligned at the corresponding height (see **Fig. 3**).
5. Push the washers **15** onto the threads of the quick-release levers **11**.

Before first use

6. Insert the quick-release levers from the outside through the holes in the guide bar and guide bar frame (see **Fig. 3**).
7. Insert the bolts **16** from the inside onto the threads of the quick-release levers and turn in the quick-release levers until they can be secured by closing them.
8. Remove the cable clamps **12** from the guide bar frame.
9. Connect the cable **10** to the guide bar frame and replace the cable clamps so that the cable is in the recess.
10. Adjust the guide bar frame to the desired angle and secure it by turning the quick-release lever tight again.

Folding up the guide bar

When transporting or storing the lawnmower, the handlebar can be folded to save space.

1. Fold the quick-release levers **11** upwards.
2. Turn out the quick-release levers so that there is clearance between the guide bar **2** and the guide bar frame **9**.
3. Fold the guide bar upwards.
4. Turn the quick-release levers back in and fold them downwards to fix the guide bar.

Inserting/removing the rechargeable battery

1. Open the battery compartment by lifting the locking mechanism and folding the safety cover **8** upwards (see **Fig. 4**).
2. Insert the rechargeable battery by guiding it into the insertion shaft on the rail until it locks in place. The contacts must be pointing downwards.
3. Fold the safety cover shut again.

In order to remove the battery again, you must press the unlocking mechanism **17**.

Operation

⚠ WARNING!

Risk of injury!

Improper handling of the lawn mower can cause injuries. The rotating blades can cause severe cuts and even sever body parts.

Objects that are picked up and flung around by the lawn mower can also cause injuries.

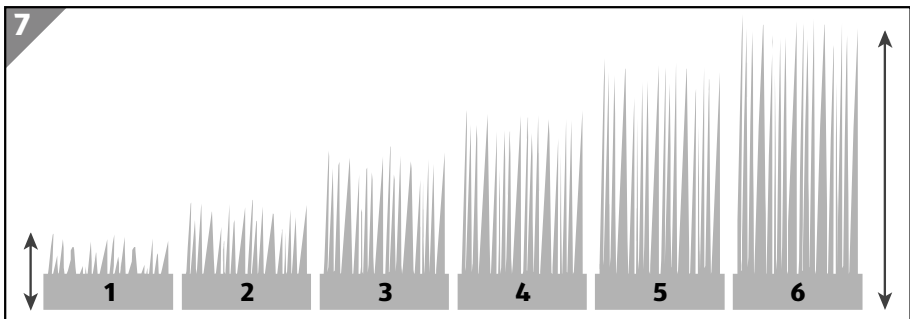
- When adjusting the device, make sure that your fingers do not get stuck between moving blades and stationary parts.
- Do not open the safety flap if you are operating the device without the grass collector.

Adjust cutting height

1. Ensure that the safety key **14** is removed.
2. Push the cutting height adjuster **7** towards the housing and set it to the desired position.

Lift the lawnmower slightly if required to do so.

Position 1 is for short grass (25 mm), position 6 is for long grass (75 mm).



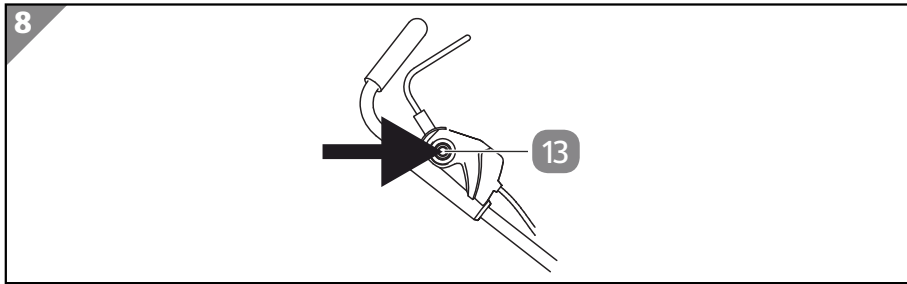
3. Push the cutting height adjuster outwards so that it locks into the required position.

Switching on/off

1. Insert the safety key **14** into the opening provided until it locks in place.
2. Ensure that lawnmower is at a suitable location and that the cutting blades cannot cause any injuries or damage.
3. To switch on the lawnmower, press and hold the safety button **13**.

Operation

4. Lift the safety bar **1**.



The motor starts and the cutting blades begin to rotate.

The motor runs and the cutting blades rotate as long as the lock bar is raised.

You can let go of the lock button as soon as the motor is running.

5. To switch the lawnmower off again, release the safety bar so that it lowers to its normal position. The motor will stop.
6. Wait until all rotating parts have come to a complete standstill.

Using the grass collection box

1. Put the plastic straps of the grass catcher basket over the grass catcher frame.
2. Ensure that the safety key **14** is removed.
3. Open the safety flap **6** above the grass discharge.
4. Lift the flap and place the grass collection box **5** on the grass discharge. Ensure it is tight.
5. Switch the lawnmower on as described in the “Switching on/off” chapter.

The mown grass is collected in the grass collection box.

Emptying the grass collection box

The fill level indicator **3** is opened by the air flow into the grass collection box **5** when operating. If the fill level indicator remains closed during operation, this means that the grass collection box is full and must be emptied.

1. Stop mowing and switch the lawnmower off.
2. Wait until all rotating parts have come to a complete standstill and the lawnmower has cooled down completely. Ensure that the safety key **14** is removed.
3. Remove the grass collection box and shake the grass out.



The lawnmower can also be used without the grass collection box. The mown grass is then spread directly back onto the lawn by the grass discharge. In this case, do not open the safety flap during operation **6**.

Use mulch kit

The mulch insert prevents the grass from being discharged to the rear by blocking the collection chute. This results in the cut grass being distributed over the lawn again during mowing.

1. Open the rear protective cover **6**, hold it in this position and slide the mulch kit **18** into the rear discharge chute. Press down and latch (see **Fig. 5**).
2. Press the bottom part of the handle inwards to release and remove the mulch kit.

Cleaning and maintenance

NOTE!

Risk of short circuit!

Water or other liquids that have penetrated the housing may cause a short circuit.

- Never immerse the device in water or other liquids.
- Make sure that no water or other liquids penetrate the housing.

NOTE!

Risk of damage!

Improper cleaning can damage the device.

- Do not use any aggressive cleaners, sharp or metallic cleaning utensils such as knives, hard scrapers or similar items. These could damage the surfaces.

Cleaning and maintenance

- **Take out the battery before cleaning the device.**
- Clean the housing and the grass discharge thoroughly after each use and allow all parts to dry properly. Otherwise, damp grass residues may harden or start to get mouldy and are then difficult to remove.
- Remove all grass residues using a brush.
- Clean all smooth surfaces with a damp cloth.
- Treat all moving parts with environmentally friendly oil.
- Check the grass collection box regularly for wear or loss of efficiency.
- Regularly ensure that all nuts, bolts and screws are firmly tightened and that the lawnmower is in a safe working condition.
- Replace parts that are worn out or damaged.

Repair service

Repairs to electrical tools may only be performed by an electrician. Please describe the fault that you have encountered when sending the machine in for repair.

Replacing the cutting blade

⚠ CAUTION!

Risk of injury!

Improper maintenance can cause injuries.

- When adjusting the lawnmower, ensure that your fingers cannot be trapped between the moving cutting blade and fixed parts.
- Always wear safety gloves when handling the cutting blade.
- When maintaining the cutting blade, be aware that it can still move even if the power source is switched off.
- Only replace the cutting blade with an original spare part (see the “Spare parts list” chapter).

Damaged and worn cutting blades must no longer be used and must be replaced with manufacturer’s original spare parts. Regularly check whether the cutting blade is blunt or damaged. Proceed as follows to replace:

1. Ensure that all rotating parts have come to a complete standstill and that the lawnmower has cooled down.
2. Remove the safety key **14** and remove the battery.
3. Turn the lawnmower onto its side.

4. Use a screwdriver to unscrew the fastening screw **20** and remove it together with the washer (see **Fig. 6**).
5. Remove the cutting blade **19**.
6. Place a new cutting blade on the drive plate .
7. Place the washer and fastening screw back onto the cutting blade and tighten them.

Before using again, ensure that the new cutting blade is attached correctly and is tight.



Devices with inserted or enclosed rechargeable batteries as well as individual rechargeable batteries may only be shipped in exceptional cases and after prior consultation with the service department on the telephone number indicated on the guarantee card.

Transport and storage

⚠ WARNING!

Risk of injury and damage.

Improper transport of the device and the battery can cause injuries and damage.

- If you want to transport the device by car, it must be safely positioned and tied down.
- To protect the battery from deep discharge, it should be fully charged before longer storage periods.
- If you want to transport or store the battery, stick a strip of adhesive onto the contacts or pack it in a plastic bag or a box.

Transport and storage

- Make sure that all parts are completely dry before transport and storage.
- If necessary, undo the quick snaps and carefully fold the guide bar **2** and the guide bar assembly **9**.
- Always store the lawn mower and the battery in a dry place.
- Keep the lawn mower and the battery away from direct sunlight.
- Store the lawn mower and the battery out of the reach of children, safely closed, at a storage temperature between +5 °C and +20 °C.
- Transports of batteries by private persons are not subject to the hazardous goods ordinances if they are transported safely, packaged for retail sale and intended for private or home use.
- Only qualified personnel at shipping companies and haulage firms are permitted to ship devices with inserted or enclosed batteries and individual batteries.

Troubleshooting

Fault	Possible cause	Rectification
The motor does not start.	The rechargeable battery is empty.	Charge the battery.
	The rechargeable battery is faulty.	Replace the rechargeable battery. To do this, contact the manufacturer at the service address specified on the guarantee card.
	The safety key is not inserted.	Insert the safety key (see "Switching on/ off").
	The safety bar was lifted without pressing the safety button.	Press and hold the lock button when lifting the lock bar (see "Switching on/off").
The lawnmower runs jerkily or vibrates heavily.	The cutting blade is damaged.	Replace the cutting blade (see "Replacing the cutting blade").
	The cutting blade is loose.	Check that the cutting blade is tight and, if necessary, tighten the fastening screw (see "Replacing the cutting blade").

Fault	Possible cause	Rectification
The mowing performance is poor	The cutting blade is blunt.	Replace the cutting blade (see “Replacing the cutting blade”).
	The rechargeable battery is faulty.	Replace the rechargeable battery. To do this, contact the manufacturer at the service address specified on the guarantee card.
	The cutting height is not suitable for the grass height.	Set a more suitable cutting height (see “Adjust cutting height”).
The mown grass is not collected correctly.	The grass collection box is blocked.	Remove the grass collection box and empty it (see “Emptying the grass collection box”).
	The grass discharge is blocked.	Clean the grass discharge with a long brush or a similar, suitable item.
	The grass is too wet.	Only mow dry grass.

Technical data

Lawn mower

Model	FS-ARM 4037
Article number	815715
Nominal speed:	2900 rpm
Cutting width:	370 mm
Height adjustment:	25–75 mm / 6 positions
Collection box volume:	40 l
Weight:	11,5 kg
Voltage:	40 V--- (Direct current)
Protection category:	IPX1
Measured sound power level L_{wa} (2000/14/EC):	91,0 dB (A); K=2,8 dB(A)
Guaranteed sound power level L_{wa} (2000/14/EC):	96 dB (A)

Technical data

Sound pressure level L_{pA} :	79,8 dB (A); K=3,0 dB(A)
Vibration a_h (EN 60335):	0,48 m/s ² ; K=1,5 m/s ²
Protection class:	III

Battery and charger information (not included in the scope of delivery)

Only use the device with Active Energy® batteries and chargers that meet the following technical specifications:

Suitable for Active Energy®

Batteries of the type:	20/40 V === 90 Wh/ Li-ion
Models:	AEB 2040-2.5I / AEB 2040-2.5N XYZ562
Charging time:	20 V ===(×2)/ 90 Wh = approx. 95 min.
Chargers of the type:	21 V ===/ 4.0 A
Models:	AEC 20-4.0Ia / AEC 20-4.0Na XYZ563

Please note the technical specifications for the battery and the charger.

Warning: The stated vibration emission value was measured using a standardised test procedure.

The actual vibration emission value can differ from the stated value, depending on the kind of use. This can significantly increase the vibration load throughout operation.

The actual vibration emission value can differ from the stated value, depending on the kind of use.

The vibration level can be used for comparisons with other power tools.

It is also suited for a preliminary estimation of the vibration load.

For an exact estimation of the vibration load, you should also take into account the time during which the device is switched off, or is running but not actually being used. This can significantly decrease the vibration load throughout operation.

Establish additional safety measures to protect the operator from the impact of vibrations, for example: servicing power tools and insertion tools, keeping hands warm, carrying out work steps in an organised sequence.



Please observe the following: according to the German Machine Noise Protection Regulation from September 2002, this device may not be operated on Sundays and Bank holidays or working days from 8pm to 7am. Furthermore, it is forbidden to operate the machine at the

following times of day: from 7 a.m. to 9 a.m., from 1 p.m. to 3 p.m. and from 5 p.m. to 8 p.m. Please do also consider any local regulations concerning noise protection!

Keep noise emissions and vibrations to a minimum!

- Only use perfectly functioning devices.
- Clean and service the device regularly.
- Adapt your way of working to the device.
- Do not overload the device.
- Have the device checked, if necessary.
- Switch the device off when it is not in use.
- Wear protective gloves.

Spare parts list

If you need accessories or spare parts, please contact our service department.

When working with this tool, do not use any accessory parts other than those recommended by our company. Otherwise the operator or others in the vicinity could suffer serious injuries, or the tool could be damaged.

When ordering spare parts, provide the following information:

- Device type
- Device article number
- Cutting blade, Art.-Nr.: 77010339

The battery and the charger are not included in the delivery. These must be purchased separately.

The device can be operated with the 20/40 V battery pack from Active Energy.

Only use the rechargeable batteries stated in the section "Technical data"; do not operate the device with batteries from other manufacturers.

Declaration of conformity

EC Declaration of Conformity

We, Mogatec Moderne Gartentechnik GmbH, Im Grund14, D-09430 Drebach, Germany hereby declare that the product

Cordless lawnmower

FS-ARM 4037 Ferrex

40 V DC / cutting width 370 mm

to which this declaration refers, complies with the relevant essential health and safety requirements of the EC Directive **2006/42/EC (Machinery Directive)**, **2000/14/EC+2005/88 EC (Noise Directive)**, **2014/30/EU (EMC Directive)**, **2011/65/EC amended by (EU) 2015/863 (RoHS Directive)** as well as the requirements of the other relevant EC Directives and their amendments.

The following standard(s) and/or technical specification(s) was/were applied to ensure that the health and safety requirements specified in the EU directives were implemented properly:

EN 60335-1:2012+A11:2014+A13:2017+A1:2019+A14:2019+A2:2019; EN 60335-2-77:2010; EN 62233:2008; EN 55014-1:2017+A11:2020; EN 55014-2:2015; EN IEC 63000:2018

The sole responsibility for drawing up this declaration of conformity lies with the manufacturer. The object of the declaration described above complies with the provisions of Directive 2011/65/EU of the European Parliament and of the Council of 8 June 2011 on the restriction of the use of certain hazardous substances in electrical and electronic equipment.

Measured sound power level: 91 dB(A)
Guaranteed sound power level: 96 dB(A)

Conformity assessment procedure in accordance with Annex VI /
Directive 2000/14/EC + 2005/88/EC

Notified Body: 1878 VERICERT SRL

Via L. Masotti n. 5, 48124 - in Fornace Zarattini (RA), Italy

The year of manufacture is printed on the nameplate and can be additionally retrieved via the consecutive serial number.

Drebach, 13.12.2021



Matthias Fiedler, Senior Product Manager Mogatec GmbH

Storage of technical documentation:
Matthias Fiedler
MOGATEC GmbH,
Im Grund 14,
D-09430 Drebach, GERMANY

Disposal

Disposing of packaging



Dispose of packaging according to type. Sort the paperboard and cardboard as waste paper and the film as recyclable material.

Dispose of old electrical device



Old electrical devices must not be disposed of as household waste!

If the device cannot be used any more, each consumer **is obligated by law to dispose of old devices separately from household waste**, e.g. at a municipal/city district collection point. It is thereby ensured that old devices are professionally recycled and negative effects on the environment are avoided. Therefore, electrical devices are marked with the above symbol.



Batteries and rechargeable batteries must not be discarded with domestic waste!

As a consumer you are legally obliged to dispose of all batteries, irrespective of whether they contain harmful substances* or not, at a collection point in your community/district or at a retail outlet, so that they can be disposed of in an environmentally friendly manner. Batteries and rechargeable batteries must be disposed of separately from the device.

* marked with: Cd = Cadmium, Hg = Mercury, Pb = Lead, Li = Lithium